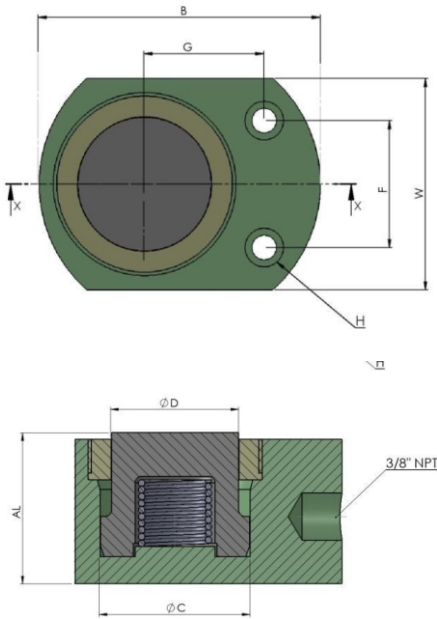


IFS

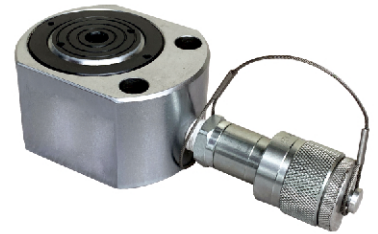
Infratekk Flat Jack - Plain Ram
Spring Return – Single Acting

ADVANTAGES / FEATURES

- Compact & Flat design ideally / suited where Clearance is minimum for insertion of jack.
- Mounting Holes for easy featuring, Stacking plate to increase closed height is optional.
- Hard Chrome Plate Ram and Cylinder to resist scoring and corrosion.
- High Pressure working Oil Seals are used.
- Heavy equipment Lifting, Alignment & Clamping. Ensure no gap Between jack & Load to be lifted, to utilize full stroke.



Model	Mounting Hole Location (in MM)		
	"F"	"G"	Thru Hole "H"
IFS 5 - 10	28	25	5.5
IFS 10 - 12	36	35	7
IFS 20 - 12	50	40	8.5
IFS 30 - 12	55	45	10.5
IFS 50 - 16	75	55	11
IFS 75 - 16	85	70	13
IFS 100 - 16	90	80	13
IFS 150 - 16	110	95	13
IFS 200 - 16	130	105	17



NOTE:

- Customized Tonnage and strokes are manufactured as per customer requirement.
- Capacity and Stroke specified are under safety factors.
- While using please read the instructions/manual .
- Use at 75% of rating as safe practice.

IFS Series - :Infratekk, **F**: Flat Jack, **S**: Single acting return, **5**: Capacity - ton, **10**: Stroke - mm

Model	"A" Close Height	Cap. in kN	Stroke In mm	Effective Area in cm ²	Oil Cap in cc	"B" Cylinder OD	"W" A/F in mm	"C" Cyl Bore ID	"D" Rod Dia	wt. App in kg
IFS 5-10	38	56	10	8.0	8	60	45	32	20	0.6
IFS 10-12	45	111	12	15.9	19	80	60	45	35	1.3
IFS 20-12	55	217	12	31.2	37	100	80	63	50	2.6
IFS 30-12	60	310	12	44.2	53	115	95	75	60	3.8
IFS 50-16	65	551	16	78.5	126	140	120	100	70	6.2
IFS 75-16	80	792	16	113.1	181	175	145	120	85	11.8
IFS 100-16	85	1078	16	153.9	247	190	165	140	100	15.1
IFS 150-16	100	1590	16	227.0	363	230	205	170	120	27.0
IFS 200 16	115	1985	16	283.5	454	265	230	190	140	40.7